

**USERS MANUAL**

**CHECK VALVE**

**Fig. 408**

**Edycja: 6/2012  
Data: 26.07.2012**

**CONTENTS**

1. Product description
2. Requirement for maintenance staff
3. Transport and storage
4. Application
5. Assembly
6. Service and repair
7. Valve service discontinuity
8. Warranty terms

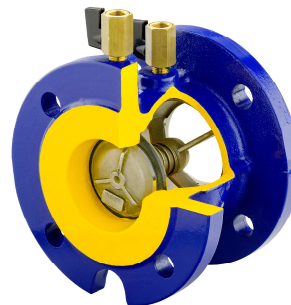


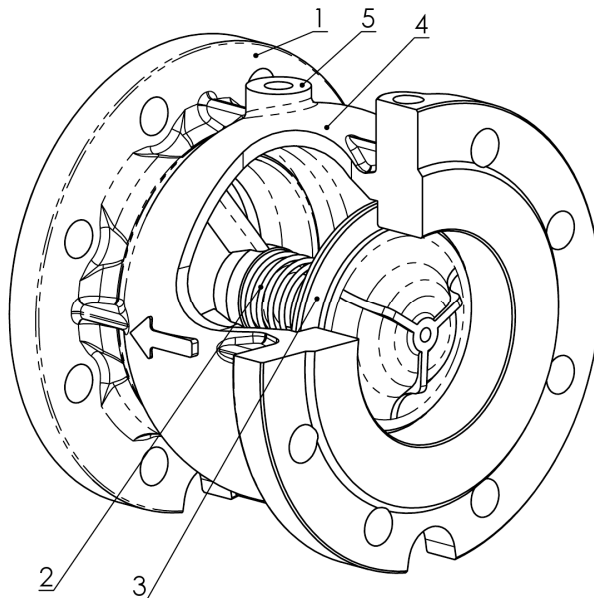
Fig 408

**1. PRODUCT DESCRIPTION**

The valves in series 408 are manufactured in accordance with the most severe product norms, and in conformity with the quality requirements of EN ISO 9001. Available from DN 25 to DN 250

No for steam.

1. Internal and external epoxy coatings, highly temperature resistant. Environmentally friendly water-based paint.
2. The stainless steel spring allows the valves to be assembled in any position.
3. Flat seal in NBR, FKM (Viton®) or silicon rubber.
4. The shape of body and shutter minimizes turbulence and head loss.
5. On request: threaded holes for drain, by-pass.



**2. REQUIREMENTS FOR MAINTENANCE STAFF**

The staff assigned to assembly, operating and maintenance tasks should be qualified to carry out such jobs.

**3. TRANSPORT AND STORAGE**

Keep in a closed and dry place. Avoid exposure to direct sunlight. Protect from moisture and mechanical

damage. The temperature of the storage should not exceed -10 ° C to 50 ° C.

#### 4. APPLICATION

Temperature: min -10° C max 100° C

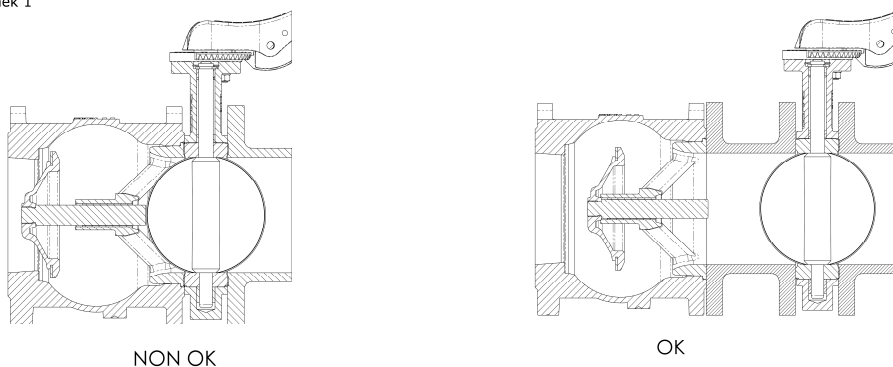
Pressure: DN 50 – 200 16 Bar  
DN 250 10 Bar

Note: More details in the catalogue data sheets.

#### 5. ASSEMBLY

- Handle with care.
- Place the valve between the flanges of the pipe and install the seal between the pipe and valve flanges. Check that the seals have been positioned correctly. The distance between the counter flanges must be equal to the valve's face to face distance. Do not use bolts of the counter flanges to bring the piping close to the valve. The bolts should be cross tightened.
- Do not weld the flanges to the piping after installing the valve.
- Water hammers might cause damage and ruptures. Inclination, twisting and misalignments of the piping may subject the installed valve to excessive stresses. It is recommended that elastic joints be used in order to reduce such effects as much as possible.
- When in the open position, some valves have a larger dimension than the nominal face to face value. A suitable distance should be allowed for when assembling, in order to prevent damage or malfunctioning (see fig. 1 for example).

Rysunek 1



This valve is unidirectional: install in accordance with the flow direction arrow indicated on the body.

#### 6. SERVICE AND REPAIR

The valve does not require maintenance.

##### Recommendations

Before carrying out maintenance or dismantling the valve:

- be sure that the pipes, valves and fluids have cooled down,
- that the pressure has decreased and that the lines and pipes have been drained in case of toxic, corrosive, inflammable and caustic liquids.

Temperatures above 50°C and below 0°C might cause damage to people.

## **7. VALVE SERVICE DISCONTINUITY**

All obsolete and dismantled valves must not be disposed with household waste. ZETKAMA valves are made of materials which can be re-used and should be delivered to designated recycling centres.

## **8. WARRANTY TERMS**

- ZETKAMA grants quality warranty with assurance for proper operation of its products, providing that assembly of them is done according to the users manual and they are operated according to technical conditions and parameters described in ZETKAMA's catalogue cards. Warranty period is 18 months starting from assembly date, however not longer than 24 months from the sales date.

- warranty claim does not cover assembly of foreign parts and design changes done by user as well as natural wear.

- immediately after detection the user should inform ZETKAMA about hidden defects of the product

- a claim should be prepared in written form.

Address for correspondence :

ZETKAMA S.A.

ul. 3 Maja 12 57-410 Ścinawka Średnia

Phone (0048) (74) 8652100

Fax (0048) (74) 8652101

Website: [http:// www.zetkama.com.pl](http://www.zetkama.com.pl)